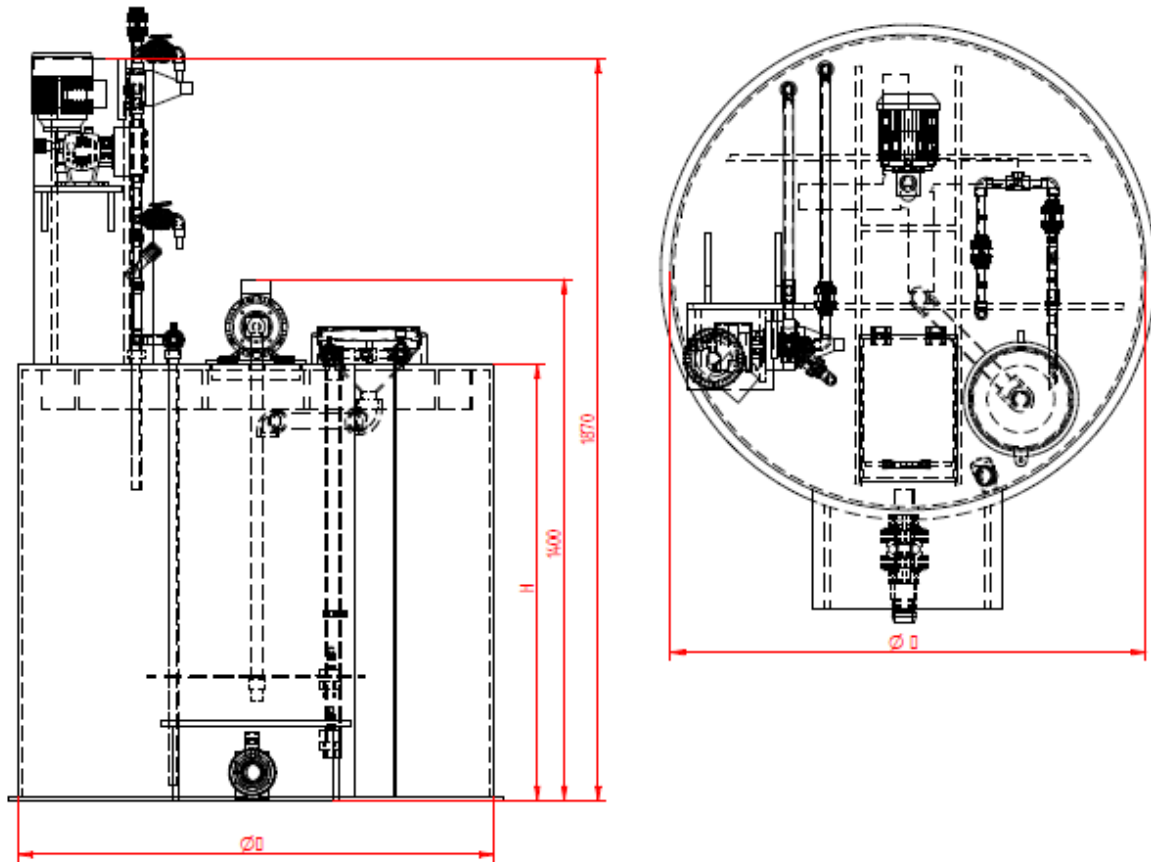


CATALOGUE LIST AS-PROCHEM D



AS-PROCHEM D

No.	Type	Outer dimensions	Active volume	Transport weight (w/o pump)	Operational weight (w/o pump)
		ØD/H [mm]	V _{max} [L]	[kg]	[kg]
033.050.xx/yy	AS-PROCHEM D 0.5	Ø850/1100	454	80	720
033.075.xx/yy	AS-PROCHEM D 0.75	Ø1050/1100	692	90	1220
033.100.xx/yy	AS-PROCHEM D 1.0	Ø1200/1100	904	110	1420
033.125.xx/yy	AS-PROCHEM D 1.25	Ø1350/1100	1145	125	1720
033.150.xx/yy	AS-PROCHEM D 1.5	Ø1500/1100	1413	155	2120

- xx = 00 basin without base for a dosing pump
 xx = 01 basin including base for OBL dosing pump
 xx = 02 basin including base for Grundfos dosing pump
 yy = DK basin including a hopper for automatic powder dosing

Valid from: 20th September 2019