

STATION FOR FLOCCULANT SOLUTION PREPARATION



AS-PROCHEM K

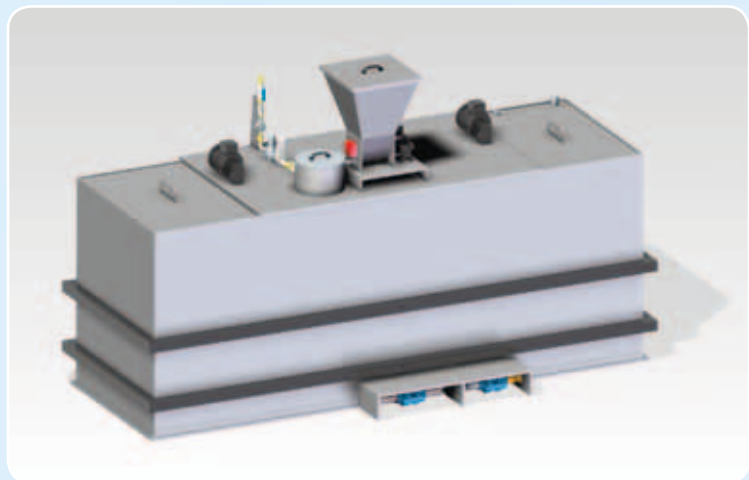
Station for flocculant solution preparation AS-PROCHEM K is unit for continuous preparation and dosing of the flocculant solution, prepared from powder or emulsion flocculant.

The station is intended for continuous operation and exact setting of solution concentration. The station consists of two plastic chambers, equipped with two stirrers and devices for exact water dosing, which is automatic valve and water level sensors. Powder flocculant is dosed by a hopper with heating, while the drive is controlled via frequency inverter. This arrangement allows to set required solution concentration exactly, based on the potable water pressure and flow (in range 2.5 – 4 m³/h). Emulsion flocculant is dosed by a membrane dosing pump, while regulation of the solution concentration is also applicable.

The station is also equipped with a connection both for membrane dosing pump and spindle pump and draining valve. According to the purchase order we can supply also flocculant solution dosing pump, electrical switchboard etc.

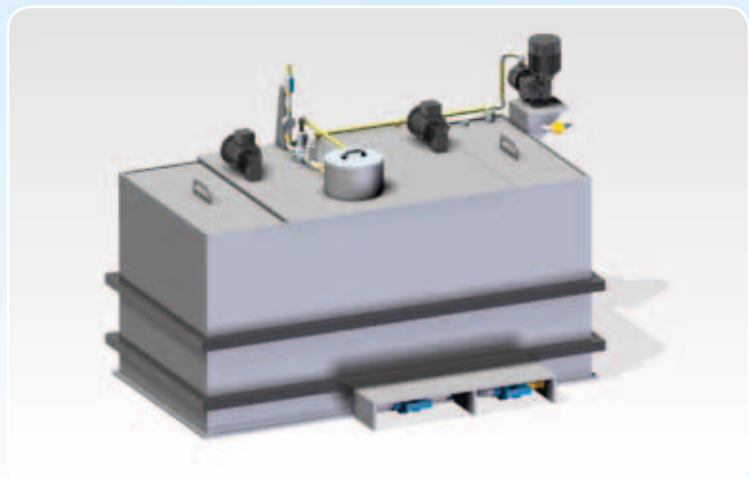
Electrical devices – powder

- Stirrer – mixing chamber
- Stirrer – storage chamber
- Hopper with heating
- Electromagnetic valve



Electrical devices – emulsion

- Stirrer – mixing chamber
- Stirrer – storage chamber
- Flocculant emulsion dosing pump
- Electromagnetic valve



Stirrer parameters				
Type	Power (kW)	Voltage (V)	Current (A)	Rotation speed (rpm)
AS-PROCHEM K 1	0,25	400	0,84	140
AS-PROCHEM K 1,6	0,25	400	0,84	140
AS-PROCHEM K 3	0,25	400	0,84	140
AS-PROCHEM K 4	0,37	400	1,05	200
AS-PROCHEM K 6	0,55	400	1,90	200

Technological parameters				
Catalogue No.	Type	Minimal flow (L/h)	Maximal flow – powder* (L/h)	Maximal flow – emulsion* (L/h)
032.100.xx	AS-PROCHEM K 1	45	700	1300
032.160.xx	AS-PROCHEM K 1,6	60	900	1600
032.300.xx	AS-PROCHEM K 3	115	1600	2600
032.400.xx	AS-PROCHEM K 4	145	1900	2900
032.600.xx	AS-PROCHEM K 6	221	2600	3700

* Maximal flow is dependent on the potable water pressure and flow.

Technical parameters							
Catalogue No.	Type	Active volume (m ³)	Length L1* (mm)	Width B1* (mm)	Height H1* (mm)	Transport dimensions (m)	Transport weight (kg)
032.100.xx	AS-PROCHEM K 1	1,1	1500	1000	1030	1,9 x 1,4 x 1,5	240
032.160.xx	AS-PROCHEM K 1,6	1,5	2000	1000	1030	2,4 x 1,4 x 1,5	280
032.300.xx	AS-PROCHEM K 3	2,9	3000	1000	1230	3,4 x 1,4 x 1,7	410
032.400.xx	AS-PROCHEM K 4	3,6	3000	1000	1530	3,4 x 1,4 x 2,0	450
032.600.xx	AS-PROCHEM K 6	5,5	3000	1500	1530	3,4 x 1,4 x 2,0	590

* Dimensions of the plastic tank without technology.

xx = 00 ... station for flocculant solution preparation from powder
 xx = 01 ... station for flocculant solution preparation from emulsion

